

6

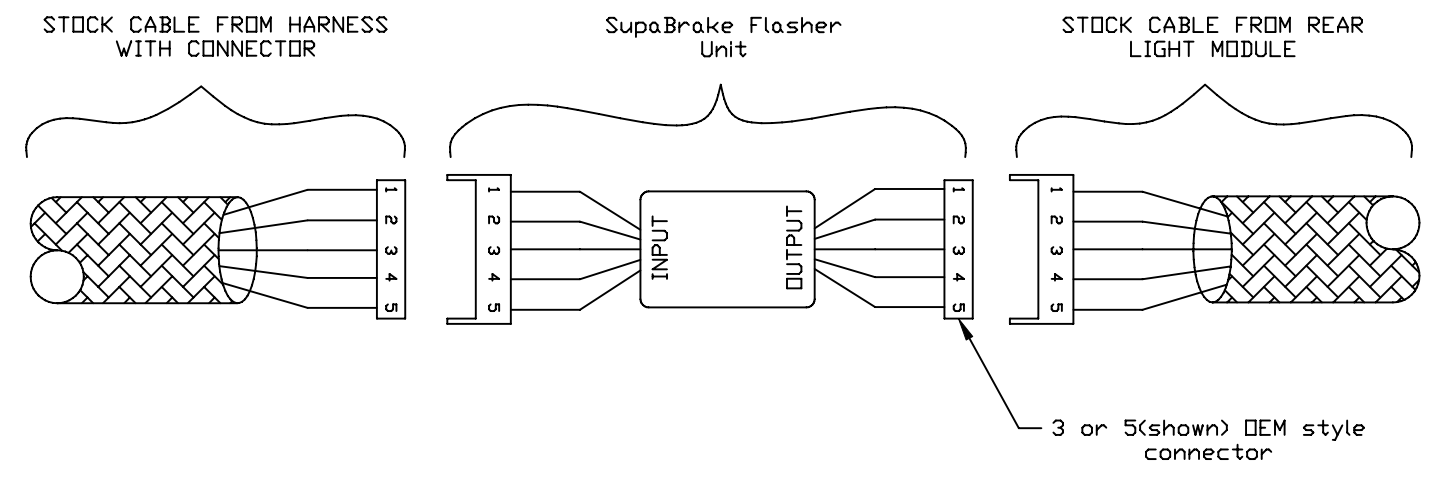
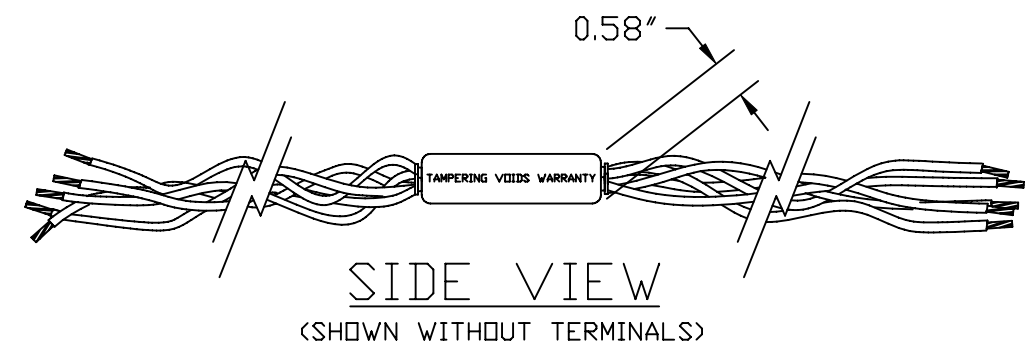
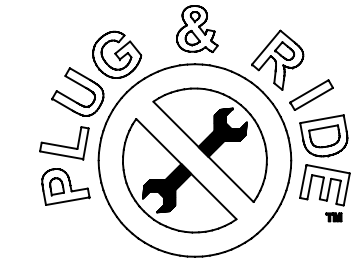
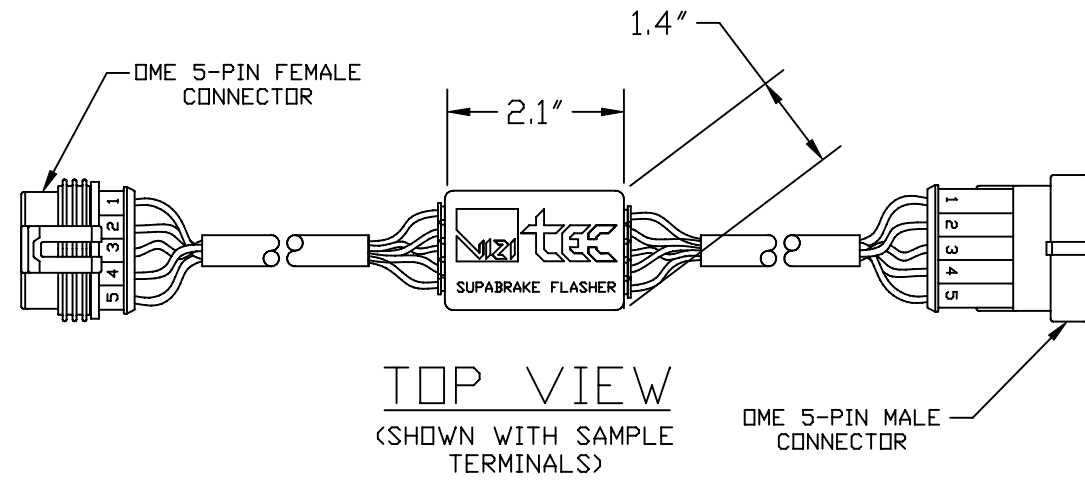
5

4

3

2

1

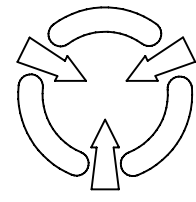


ELECTRICAL BLOCK DIAGRAM INSTALLATION


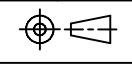
**SPECS:**

THE SUPABRAKE FLASHER-MC(tm) IS A SOLID STATE INTEGRATED MICRO CONTROLLER DEVICE. CARE SHOULD BE TAKEN DURING INSTALLATION TO AVOID ESD DAMAGE.

- STORAGE TEMPERATURE: -40°C TO +105°C (-40°F TO 221°F)
- OPERATING AMBIENT TEMPERATURE: -40°C TO +85°C C° (-40°F TO 185°F)
- INPUT VOLTAGE: 9VDC TO 15VDC (NOM. 12VDC)
- IEC 529 IP 6.7 STANDARDS
- QUIESCENT CURRENT: 0.008 AMPS TYP
- CONSTANT OUTPUT CURRENT: 11 AMPS
- PEAK OUTPUT CURRENT: 32 AMPS @ 20us PULSE WIDTH
- WIRE SIZE: 18 AWG



**CAUTION  
ELECTROSTATIC  
DISCHARGE SENSITIVE**

THIS DRAWING CONTAINS PROPRIETARY INFORMATION AND IS NOT TO BE USED OR REPRODUCED WITHOUT THE PERMISSION OF viziTEC ENGINEERING CORPORATION. Copyright viziTEC 2006	TOLERANCES UNLESS OTHERWISE NOTED			SIGNATURE		DATE	 <b>Vizible Technologies</b> www.vizi-tec.com		
	2 PLC ±.XX	3 PLC ±.XXX	ANGLE ±.X°	DETAIL APP'D	BAL	08/02/06			
	REMOVE BURRS & SHARP EDGES			APP'D					
	SURFACE FINISH XX ✓			THIRD ANGLE PROJECTION					
DO NOT SCALE DRAWING						DIMENSIONS ARE IN INCHES			
						SIZE	DRAWING NUMBER	REV	
						SCALE N/A		2006112-01	AA
						SHEET 1 OF 1		viziTEC FORM B-101	

6

5

4

3

2

1